



The Parkasol, designs solar carports , covers your parking in a beautiful way for your employees and guests while you are saving on energy costs.

The Parkasol can be equipped with LED lighting, movement sensor, security camera, advertising space and two charging points for electric vehicles.

Parkingware offers you the opportunity to share charging points with employees, visitors during office hours. At times you do not use it yourself, you can offer the charging points in our online shop. This gives you extra service to third parties and will return your investment faster

Save on your Energy bill

- Use the generated solar power for your business.
- 5300 Kwh = 26.500 electric kilometers per year.
- You benefit from tax advantages.

Easily share your charger

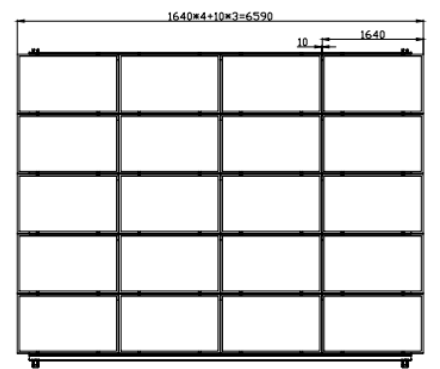
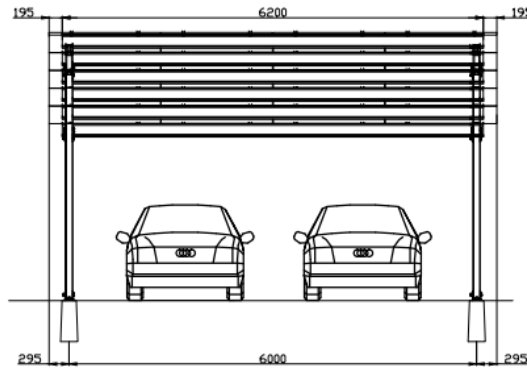
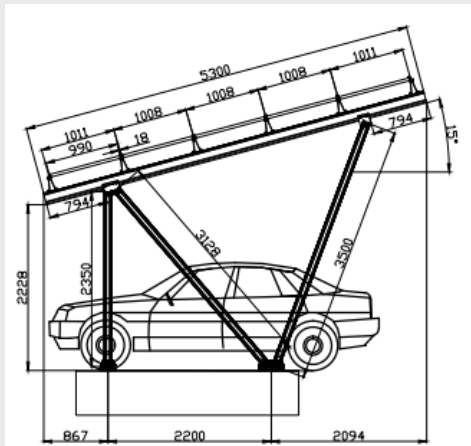
- Local share with employees , guests, lease cars.
- With Powersharing, we offer you the opportunity to you can share your charger with others when you're not using it yourself and earn back the investment.

Innovative Design

- Innovative design in your company style
- Opportunity to add LED lighting, movement sensor, security camera and two chargingpoints for electric vehicles
- Advertising opportunities.

Webbased Energy monitoring

- Overview energy usage chargingpoints.
- Overview energy production solar panels.



Technical specifications

Weight 785 kg construction
400 kg 20 solar panels

Material Douglas Wood

DEFAULT DELIVERY WITH SOLAR PANELS

Roof space for Panels 20 (4x5)
Production kWh per year 5300 kWh

Extra

- Default the Parkasol is without Solar Panels. We offer extra roof panels if you are not going to install a solar package.
- Grid-Interactive package
- Grid-Back-Up package
- Off The Grid package
- Branding pack
- Charging points
- Powersharing package
- Led light with movement sensor
- Security camera